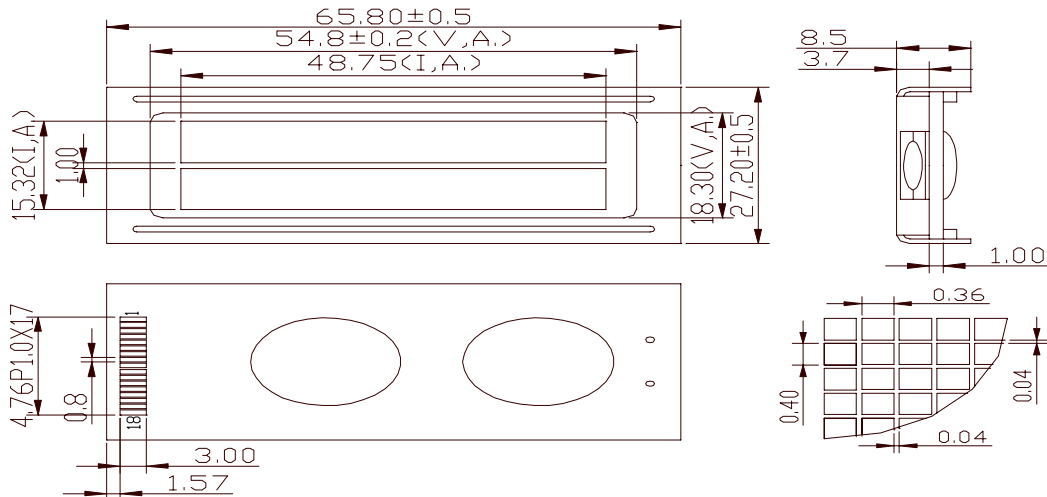
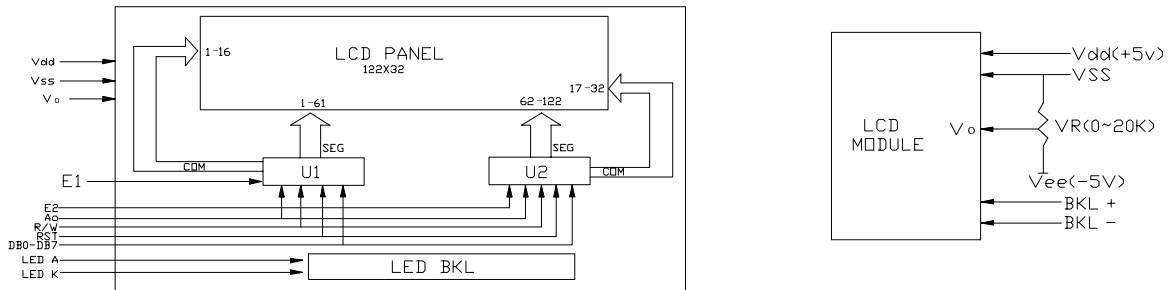


● OUTLINE DIMENSION



● BLOCK DIAGRAM & POWER SUPPLY



● MECHANICAL SPEC.&FEATURES

Item	Dimension(mm)
Module Size(WxHxT)	65.8x27.2x8.5
Viewing Area(WxH)	54.8x18.3
Dot Size(WxH)	0.36x0.40
Dot Pitch(WxH)	0.40x0.44
DotsxDots	122x32

Features	
LC Fluid	STN(Yellow-green,Gray,Blue),FSTN
Polarizer	Reflective,Transflective,Transmissive
View Angle	6:00 o'clock or 12:00 o'clock
Display Type	Positive or Negative
Backlight	EL(Optional)
Operating Temp.	0°C~50°C or -20°C~70°C
Controller	SED1520 or Equivalent

● INTERFACE PIN CONNECTIONS

Pin No.	Symbol	Function
1	Ao	Register selection(H:Data,L:Instruction)
2	E1	Enable signal IC1
3	E2	Enable signal IC2
4,5	NC	
6	R/W	Read/Write selection(H:R,L:W)

Pin No.	Symbol	Function
7	Vss	Ground for logic
8~15	DB0~DB7	Data bus lines
16	Vdd	Power supply for logic
17	/RST	Reset signal
18	Vo	Power supply for LCD

● ELECTRICAL CHARACTERISTICS

Item	Symbol	Test Condition	Min	Typ.	Max.	Unit
Operating Voltage	Vdd	Ta=25°C	...	5.0	...	V
Operating Voltage for LCD	Vlcd	Ta=25°C	...	4.5	...	V
Supply Current	Idd	Ta=25°C,Vdd=5.0V	...	2.5	3.0	mA
Supply Voltage for LED	Vf	Ta=25°C,f=400Hz	...	110	...	V
Supply Current for LED	If	Ta=25°C,Vpp=110V	...	70	...	mA